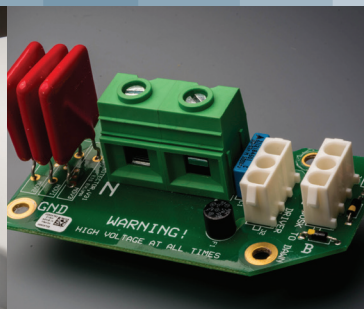


AreaMax™

Save maintenance
Save energy
Save time



Photocontrol
Failsafe™



Robust 20kV/10kA
surge protection



ConnectLED™
wireless controls

AreaMax: Utility Grade LED

A new standard for performance, reliability and savings

With the lowest total cost of ownership, AreaMax™ LED luminaires achieve major reductions in maintenance and energy over HID

Perfect for rural security, residential street lighting, and parking lots. Replace 100-200W HIDs with 40W-70W AreaMax LED luminaires and achieve over 110 lm/W.

AreaMax standard 20kV/10kA is one of the highest rated surge protectors in the market. A Class II custom driver, expertly matched components, and patented Evluma technology deliver a robust, utility grade fixture that's built to last, all backed by a 10 year warranty.



Photocontrol Failsafe™

Never roll another truck for a failed photocontrol

When a photocontrol fails, Photocontrol Failsafe™ takes over, eliminating a truck-roll and guaranteeing dusk-till-dawn operation.

Retain the existing NEMA standard twist-lock photocontrol or choose the Evluma integrated photocontrol. Either way, Evluma's Photocontrol Failsafe calibrates the on/off cycle to the unique sunrise/sunset times of the luminaire's geographic location.



ConnectLED™

Wireless Lighting Management

Unlock additional savings with ConnectLED™. This app for Apple, Android or Windows communicates at a distance of up to 150' via BLE (Bluetooth Low Energy) to:

- Connect/Disconnect from service
- Set Maximum Brightness
- Set scheduled dimming
- Monitor status and more!

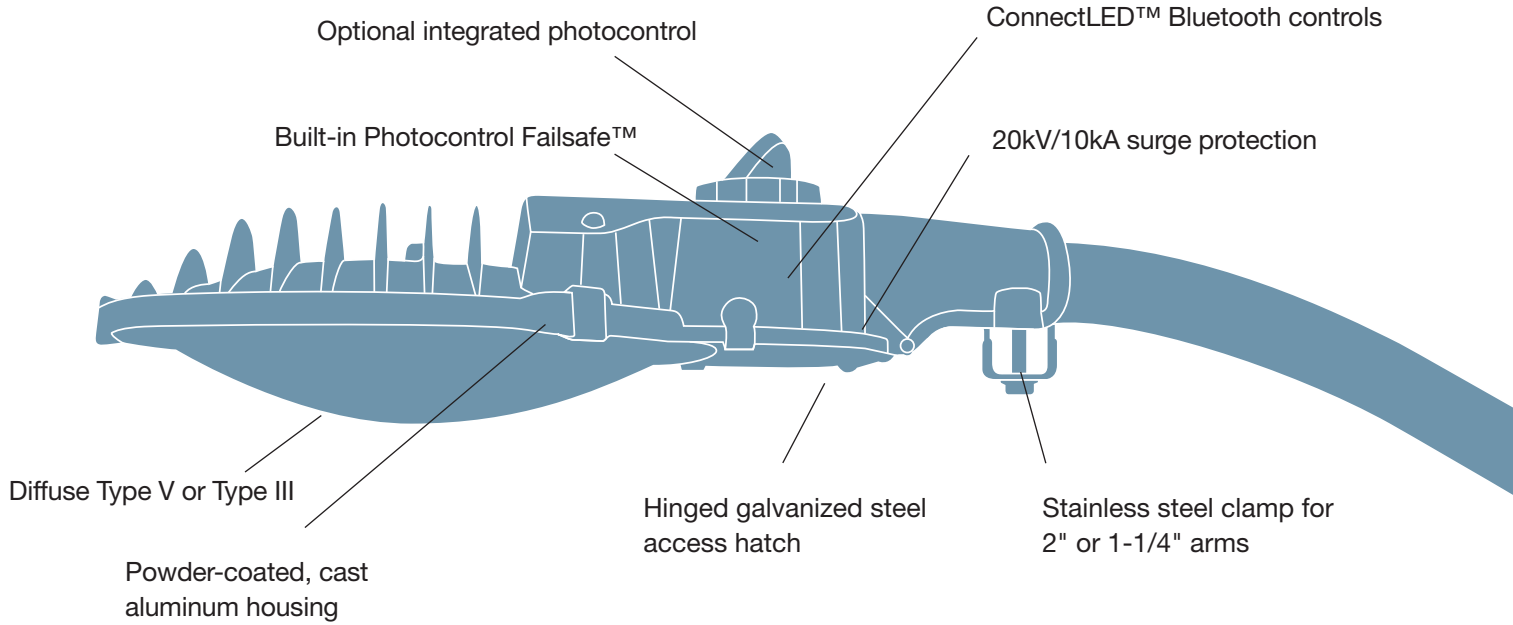


Residential Lighting

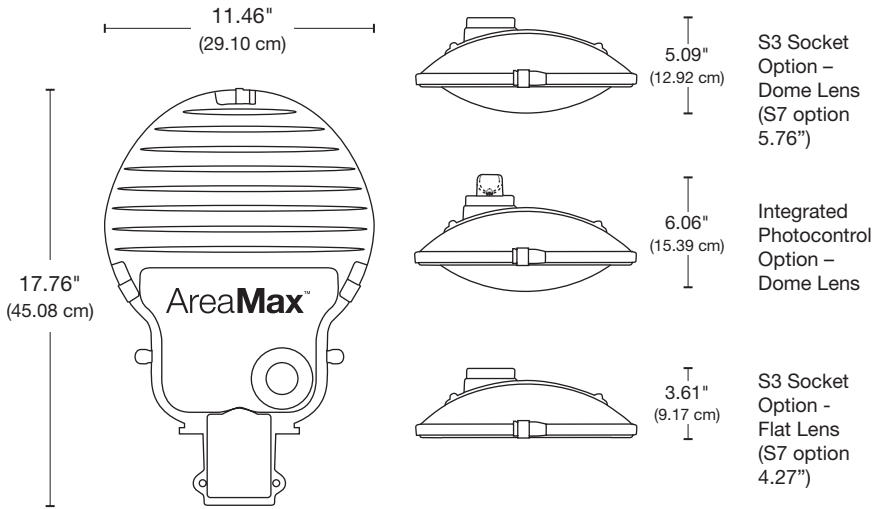
AreaMax LED Security Light

Residential Roadway Lighting

Features



Dimensions



Construction and Finish

Powder-coated, cast aluminum housing, galvanized steel, hinged access hatch with spring clips for easy open and close.

Mounting

Stainless steel tenon clamp and stainless steel trilobe screws accept 2" or 1-1/4" arm for easy slip-on installation.

Coastal Package Option

Cast aluminum alloy housing with corrosion resistant polymer coating. Aluminum access hatch, s.s. tenon clamp and s.s. bolts.

Optical (Lens)

Textured glass with a white, optical-grade reflective film liner creates a bright, non-glare, diffuse light.

Thermal Management

Thermal measurement protection circuitry controls current levels to the LEDs. Components of minimal thermal resistance, paired with a custom light engine and finned casting design, maximize cooling.

Assembled in the USA from domestic and imported parts.

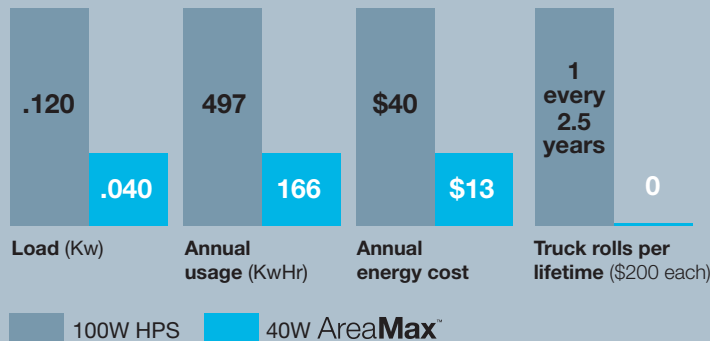
Payback Model

ASSUMPTIONS

Model number
AM-40-5K-6-V-D-P-STD-6

Annual operating hours
4140

Energy cost
.08/KwHr



Savings per Year

.08 Kw
331 KwHr
\$27 energy
\$83 maintenance

\$110 per fixture

Total Savings Over 20 Years

\$2,200

Ordering Information

Sample Number: AM-40-5K-V-D-S7-CST-6

Product Family	Watts	CCT	Distribution Type	Lens (Options)	Photocontrol Socket (Options)	Environmental Package (Options)	Leads (Options)
AM = AreaMax	40 = 40 watts 55 = 55 watts 70 = 70 watts	3K = 3000K 4K = 4000K 5K = 5000K	V = type V	D = dome C = full cutoff	P = integrated S3 = 3 pin socket S7 = 7 pin socket	STD = std outdoor CST = coastal	6 = 66" 10 = 10' 20 = 20' N = none
AM = AreaMax	40 = 40 watts 70 = 70 watts	3K = 3000K 4K = 4000K 5K = 5000K	3 = type III	D = dome C = full cutoff	P = integrated S3 = 3 pin socket S7 = 7 pin socket	STD = std outdoor CST = coastal	6 = 66" 10 = 10' 20 = 20' N = none

Performance Data

40W Type V

(Recommended To Replace 100-175W HID)

CODE	CCT	Lumens	BUG
3K (C)	3000K	>3900	B2-U0-G1
3K (D)	3000K	>4000	B2-U2-G1
4K (C)	4000K	>4000	B1-U0-G1
4K (D)	4000K	>4100	B2-U2-G1
5K (C)	5000K	>4000	B1-U0-G1
5K (D)	5000K	>4100	B2-U2-G1

DLC Qualified. Search the QPL at designlights.org/search/

70W Type V

(Recommended to replace 150-200W HID)

CODE	CCT	Lumens	BUG
3K (C)	3000K	>6800	B2-U0-G1
3K (D)	3000K	>7000	B3-U2-G1
4K (C)	4000K	>7000	B2-U0-G2
4K (D)	4000K	>7500	B3-U2-G2
5K (C)	5000K	>7600	B2-U0-G1
5K (D)	5000K	>7700	B3-U2-G2

DLC Qualified. Search the QPL at designlights.org/search/

40W Type III

(Recommended to replace 100-175W HID)

CODE	CCT	Lumens	BUG
3K (C)	3000K	>4000	B1-U0-G1
3K (D)	3000K	>4200	B1-U2-G1
4K (C)	4000K	>4200	B1-U0-G1
4K (D)	4000K	>4300	B1-U2-G1
5K (C)	5000K	>4300	B1-U0-G1
5K (D)	5000K	>4500	B1-U2-G1

DLC Qualified. Search the QPL at designlights.org/search/

55W Type V

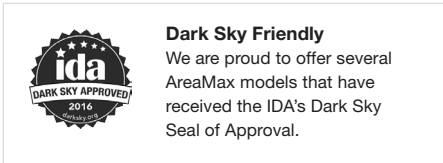
(Recommended to replace 150-200W HID)

CODE	CCT	Lumens	BUG
3K (C)	3000K	>5000	B2-U0-G1
3K (D)	3000K	>5100	B2-U2-G2
4K (C)	4000K	>5300	B2-U0-G1
4K (D)	4000K	>5300	B2-U2-G2
5K (C)	5000K	>5300	B2-U0-G1
5K (D)	5000K	>5600	B3-U2-G2

DLC Qualified. Search the QPL at designlights.org/search/

Accessories

AMAX-LTS light trespass shield (order separately)



70W Type III

(Recommended to replace 150-200W HID)

CODE	CCT	Lumens	BUG
3K (C)	3000K	>6100	B2-U0-G1
3K (D)	3000K	>6500	B2-U2-G2
4K (C)	4000K	>6600	B2-U0-G1
4K (D)*	4000K	>6900	B2-U2-G2
5K (C)	5000K	>6700	B2-U0-G1
5K (D)*	5000K	>7100	B3-U2-G2

* These models are DLC Qualified. Search the QPL at designlights.org/search/

Technical Specs

Electrical Data

Driver	90-277 VAC 50/60Hz Proprietary patented Class II Driver
Surge Protection	20kV/10kA IEEE/ANSI C62.41.2-2002
Location Category	C-High

Lumen Maintenance

L70 (10,000)	>60,000 hrs
L70 (TM-21)	>100,000 hrs

Warranty 10 Years

Energy Data

Power Factor	>99%
THD	<10% at 120 VAC <20% at 277 VAC
Off-state Power	<1/2W
Driver Lifetime	>100,000 hrs
Temperature	Ambient Min -40°C Ambient Max 50°C

Shipping Data

Single Unit Net Weight	8 lbs.
Packaged Weight	10 lbs.
Pallet	56 units / 580 lbs.

Certification Data

UL 1598 Met Labs	
IP66 IEC 60529	
ASTM D2247-6	Humidity
FM 4473	Hail Impact Resistance
ANSI C136.31-2010	Level 2 Bridge/Overpass
NOM-031	



Evluma makes one thing: Utility-grade outdoor LED lighting solutions

From heat management, to light quality, to integrated controls, we've been solving the biggest challenges in LED for over 2 decades. We help cities, municipalities and utility providers evolve their lighting infrastructure to meet needs of tomorrow.



3600 Lind Avenue SW Suite 140
Renton WA 98057
425-336-5800
www.evluma.com